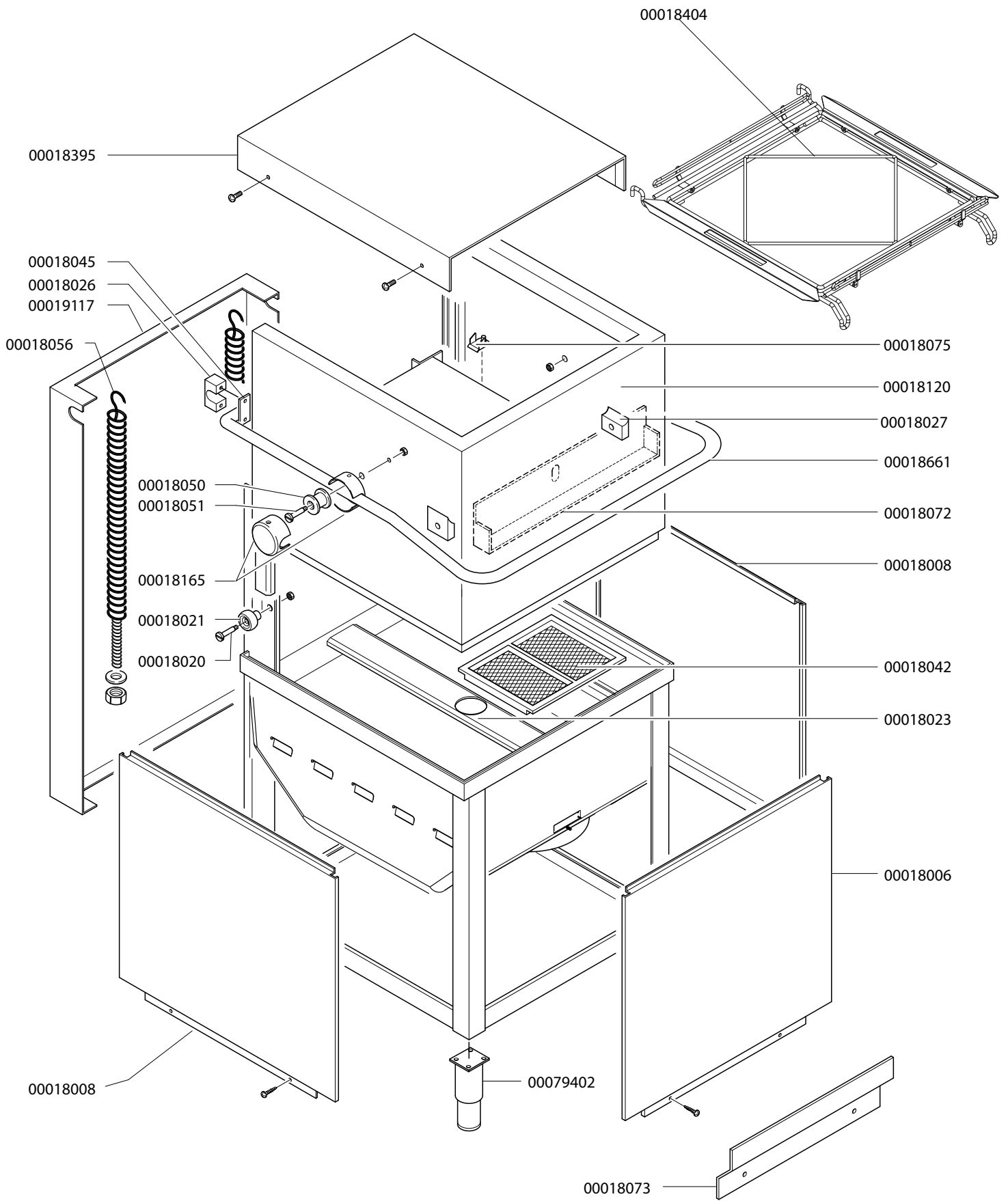
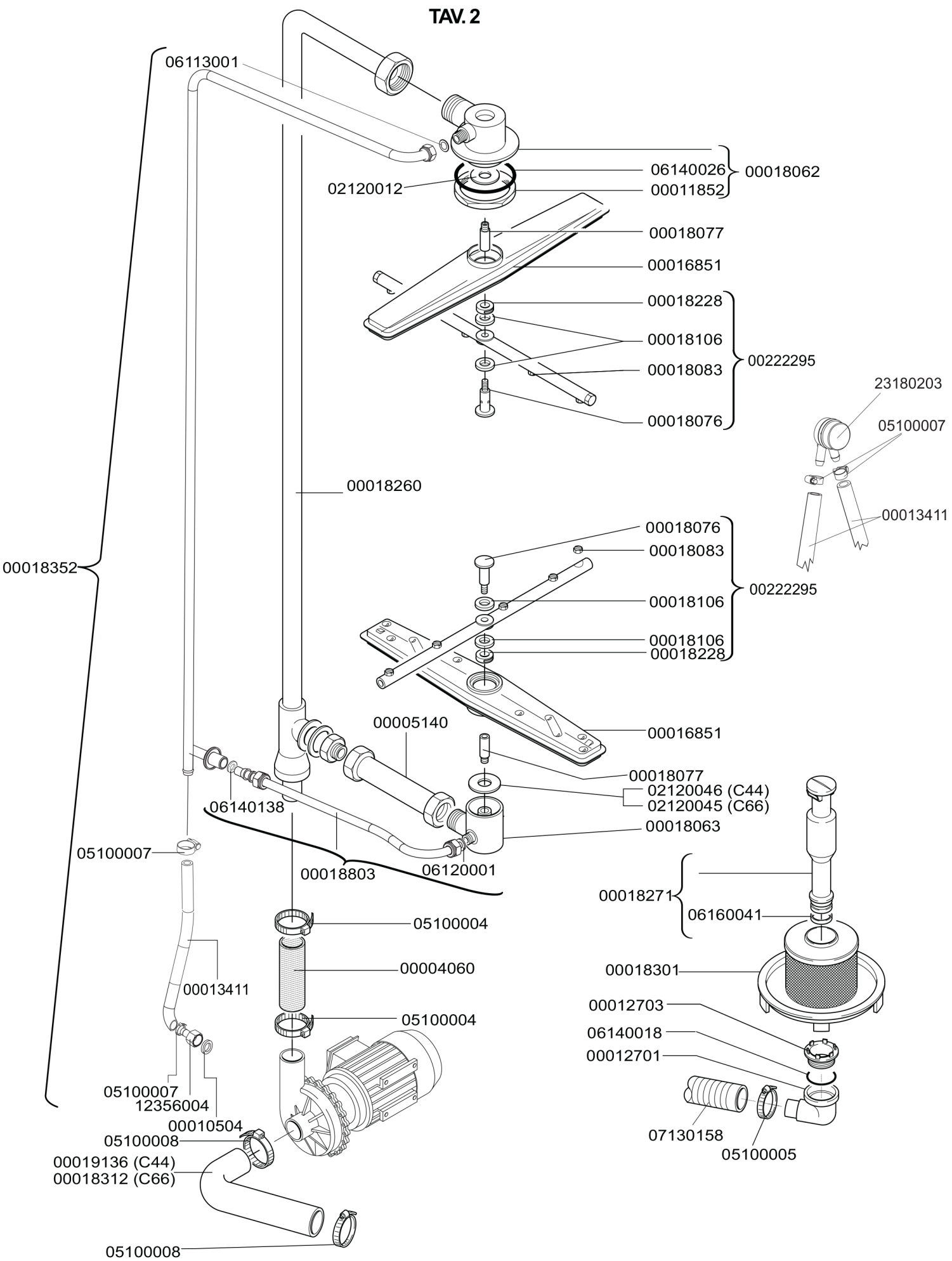


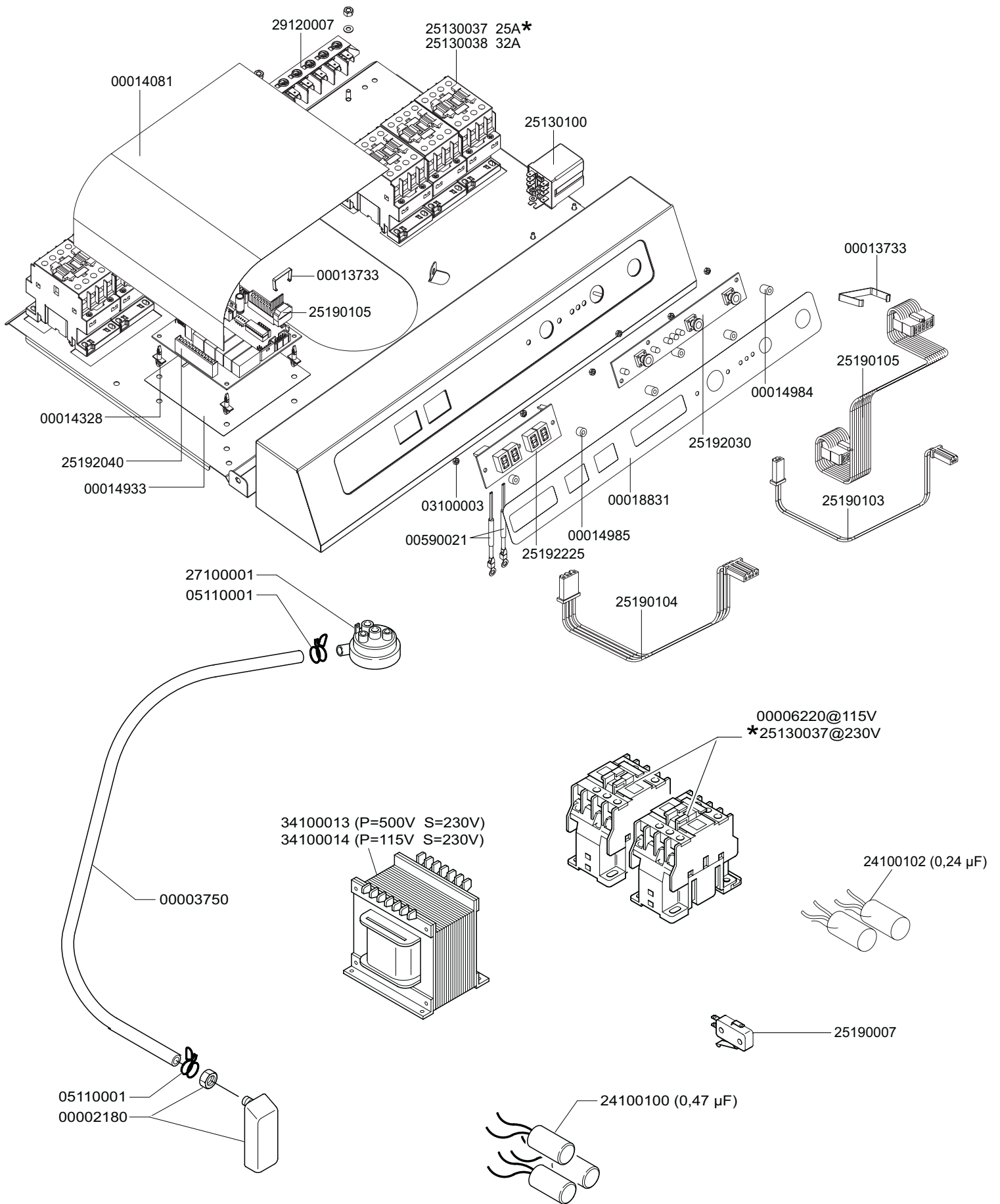
TAV.1



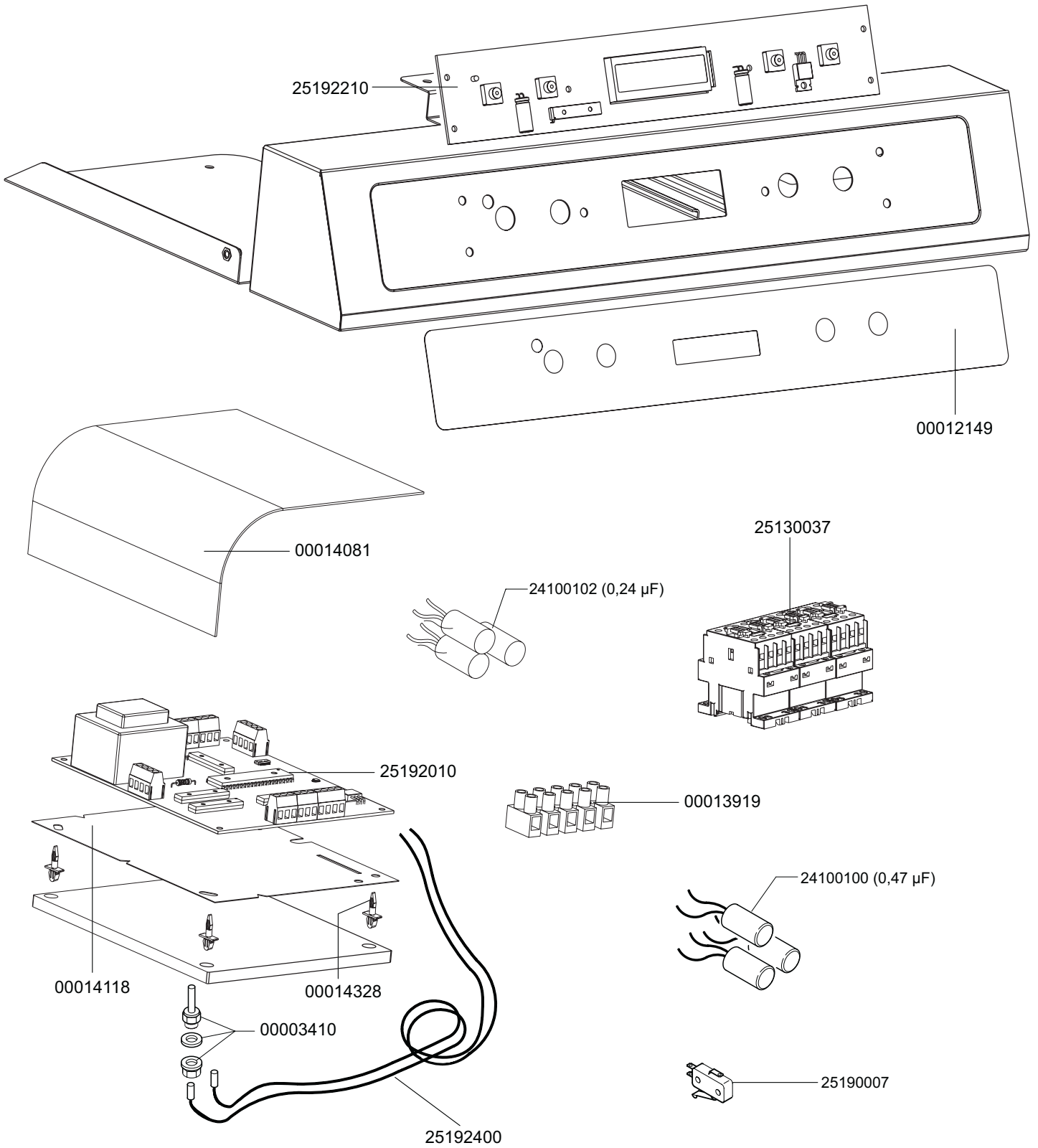
TAV.2



# TAV. 3



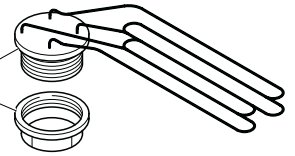
TAV. 3.1 (ELT BT BA)



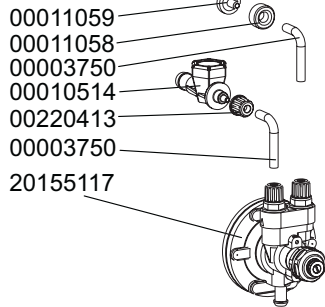
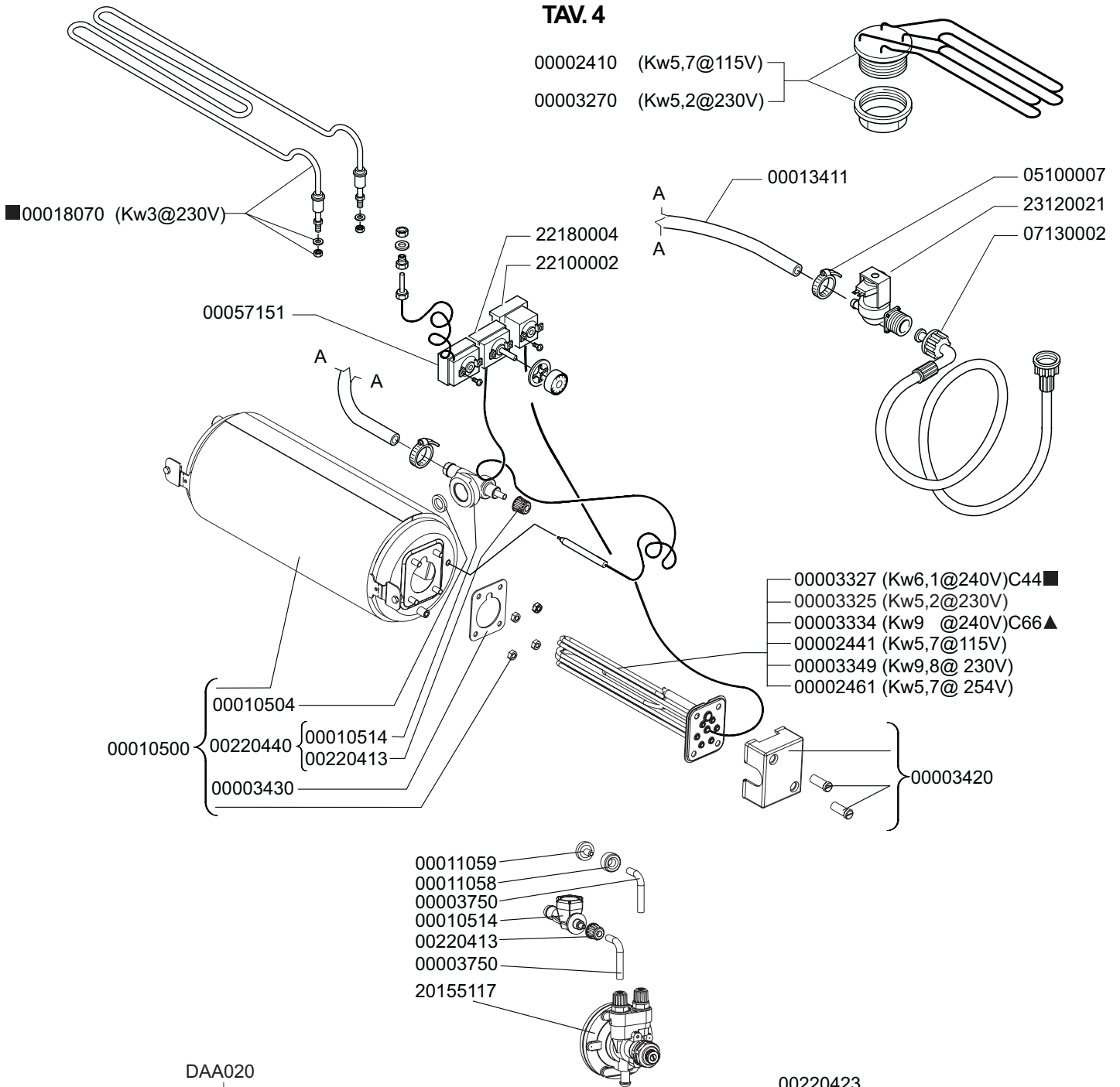
**TAV. 4**

00002410 (Kw5,7@115V)

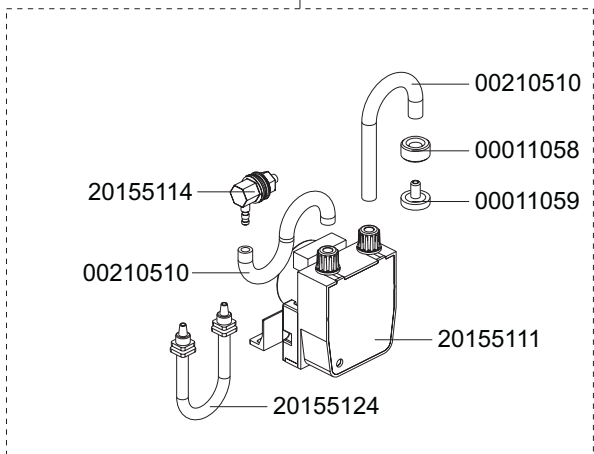
00003270 (Kw5,2@230V)



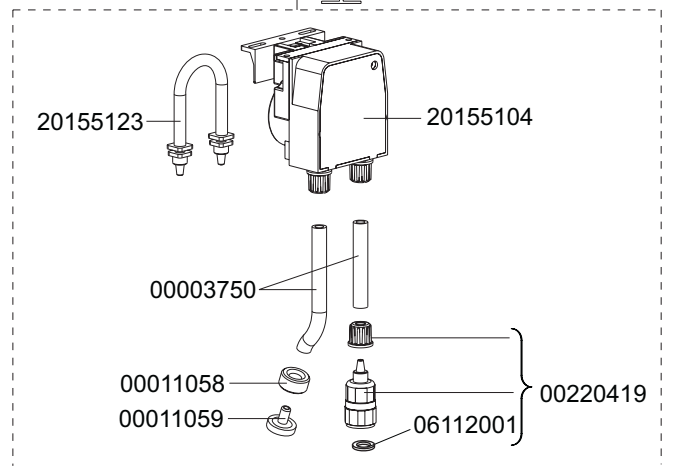
■ 00018070 (Kw3@230V)



DAA020

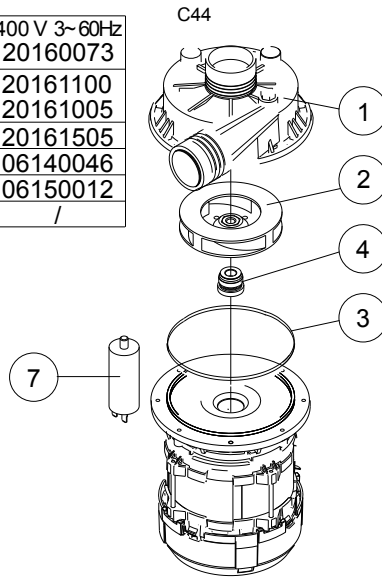


00220423



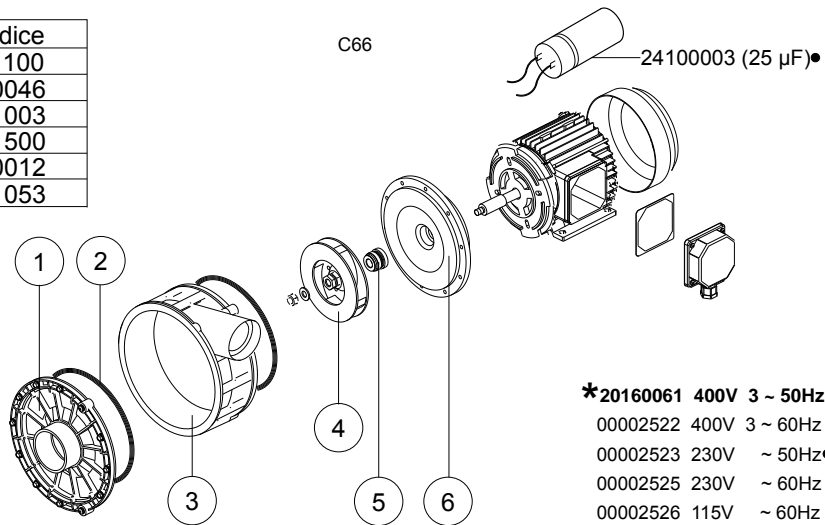
### TAV.5

	230 V 1~50Hz 20160053	400 V 3~50Hz 20160072	400 V 3~60Hz 20160073
1	00019540	20161100 20161005	20161100 20161005
2	00019541	20161504	20161505
3	00019542	06140046	06140046
4	06150011	06150012	06150012
7	24100005	/	/



20160072 400V 3 ~ 50Hz  
 20160073 400V 3 ~ 60Hz  
**\*20160053 230V ~ 50Hz**  
 00002515 230V ~ 60Hz  
 00002516 115V 3 ~ 60Hz  
 00002517 115V ~ 60Hz

Pos.	Codice
1	20161100
2	06140046
3	20161003
4	20161500
5	06150012
6	20161053

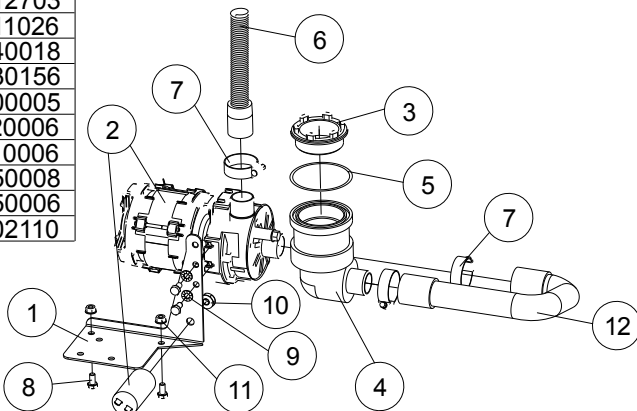


**\*20160061 400V 3 ~ 50Hz**  
 00002522 400V 3 ~ 60Hz  
 00002523 230V ~ 50Hz●  
 00002525 230V ~ 60Hz  
 00002526 115V ~ 60Hz  
 00002527 115V 3 ~ 60Hz

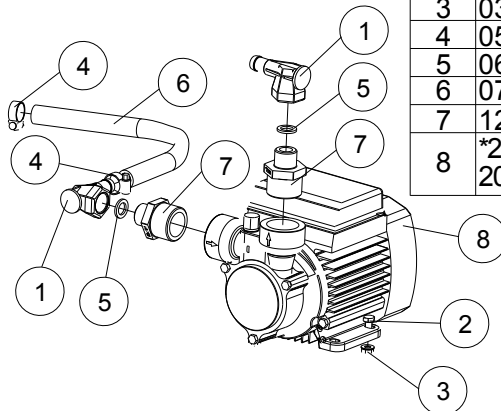
DAA205

DAA018

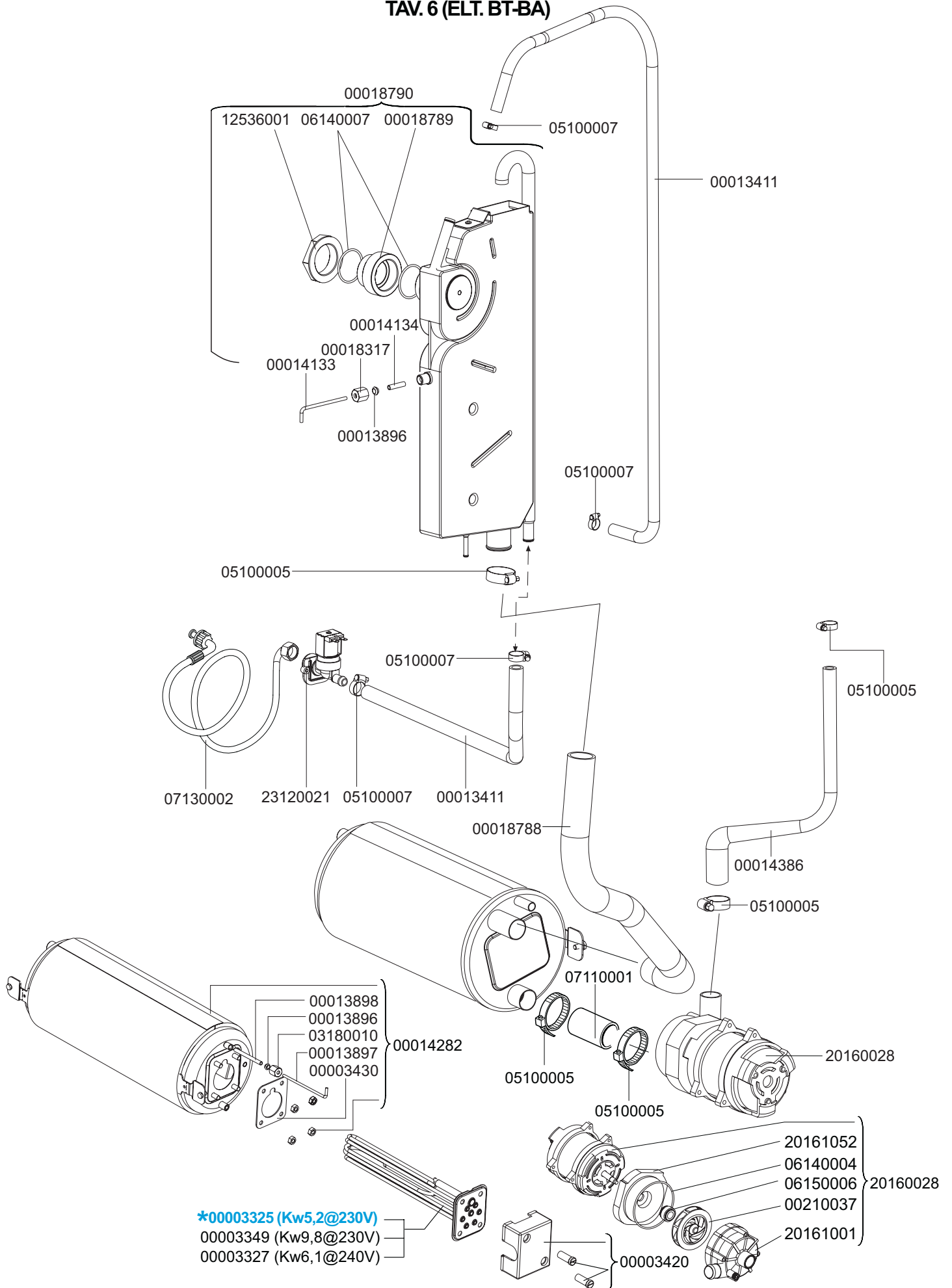
Pos.	Codice
1	00065419
2	20160048
3	00012703
4	00211026
5	06140018
6	07130156
7	05100005
8	01120006
9	02110006
10	03150008
11	03150006
12	00202110



Pos.	Codice
1	00014169
2	01120008
3	03150006
4	05100007
5	06120005
6	07145011
7	12545206
8	*20160054@50Hz 20160056@60Hz

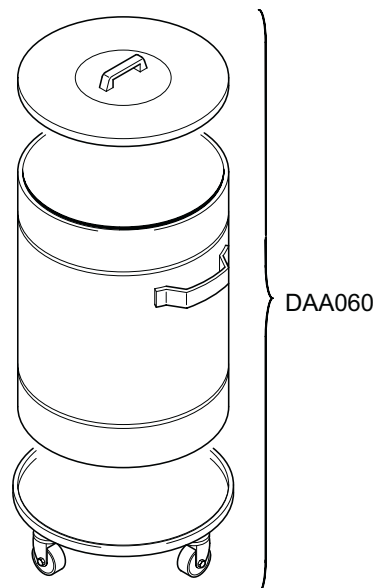
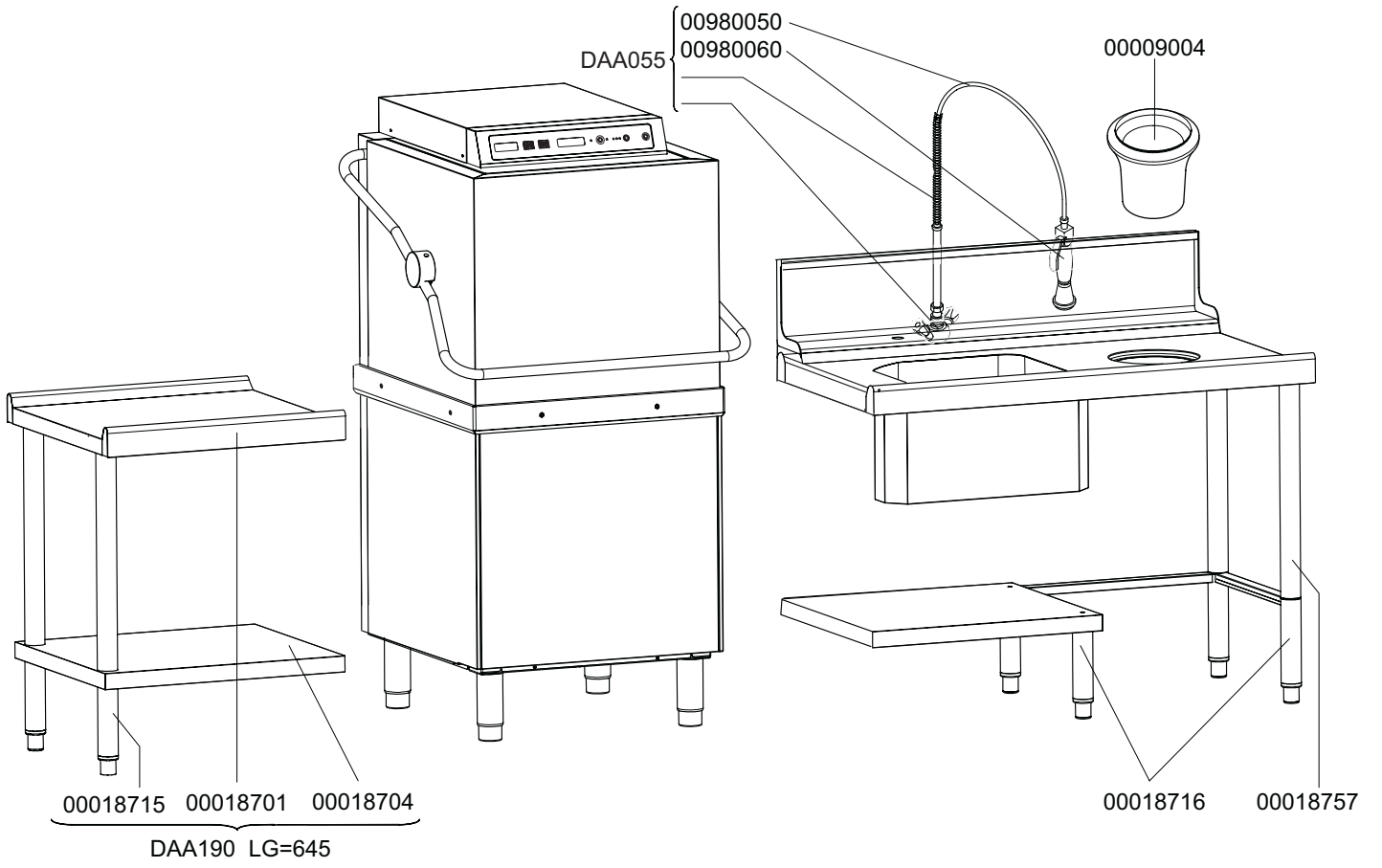


**TAV. 6 (ELT. BT-BA)**



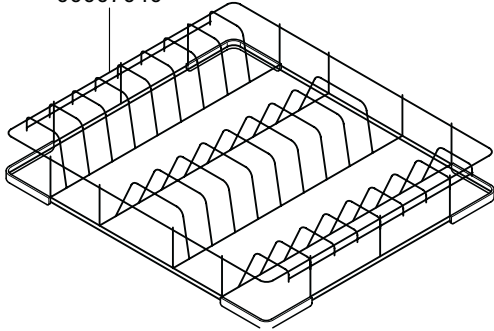


TAV. 7

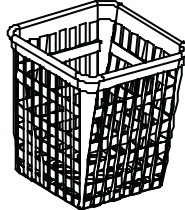


TAV. 8

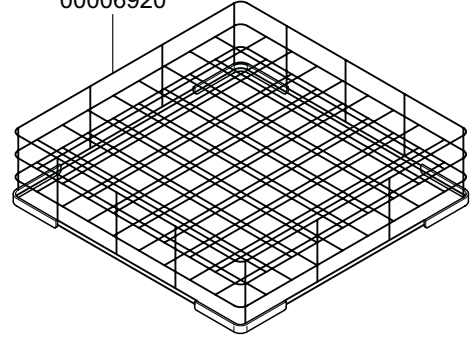
00007040



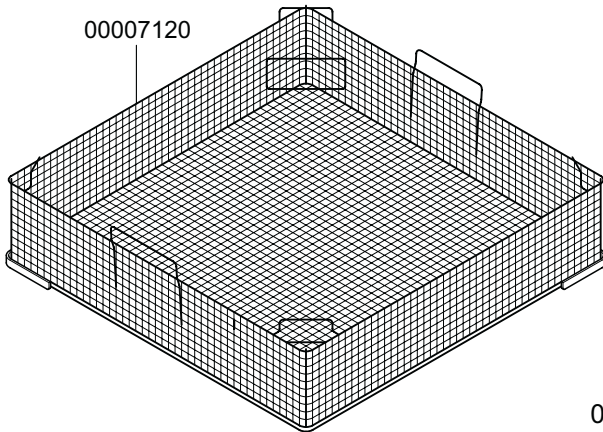
00206721



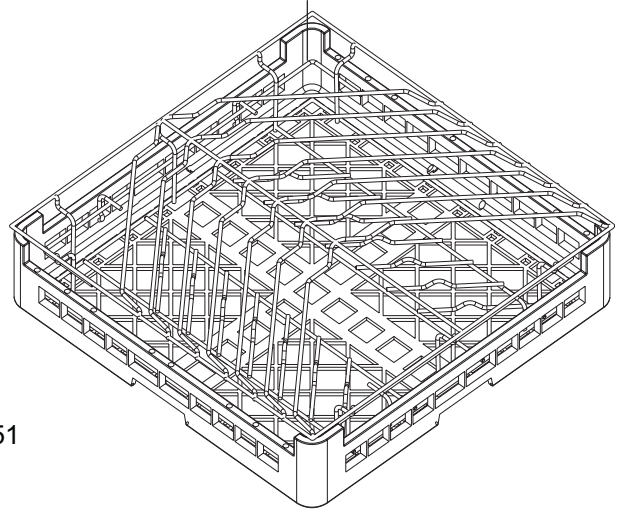
00006920



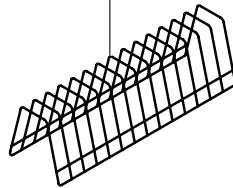
00007120



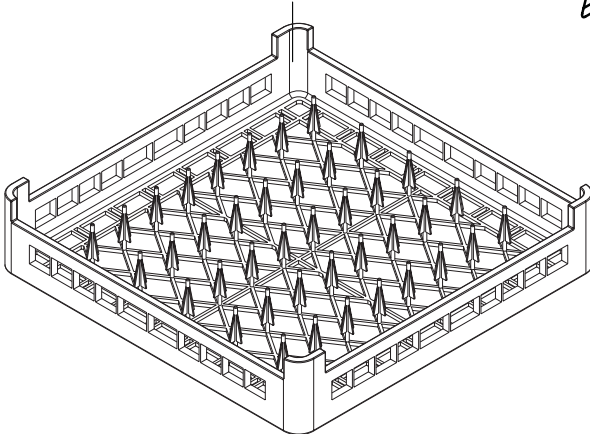
FAA031



00206751



FAA007



FAA001

